

Stainless Steel Cam Roller Linear Guide Rails

for Stainless Steel Linear Guide Rail Systems

SPECIFICATION

Type

- Type **XL**: Fixed bearing guide rail with elongated holes

Stainless steel AISI 316L

Plain

INFORMATION

Stainless steel cam roller linear guide rails GN 2492 can be combined with stainless steel cam roller carriages GN 2494 (see page) or stainless steel cam rollers GN 2496 (see page) to build linear guide rail systems.

These space-saving units are used for example in the machine and jig building industry, in transportation and building services equipment for supporting sliding doors, or to enable the linear movement of production and plant equipment. The material can also be used in particularly aggressive environments that can be found, for example, in the chemical, pharmaceutical, medical or food processing industries.

Linear guide rail systems are generally installed in pairs, with a horizontal alignment, either vertically (as shown) or perpendicularly. The rails can be installed on either the left or the right side of the application.

ACCESSORY

- Stainless Steel Cam Roller Carriages GN 2494 (see page)
- Stainless Steel Cam Rollers GN 2496 (see page)

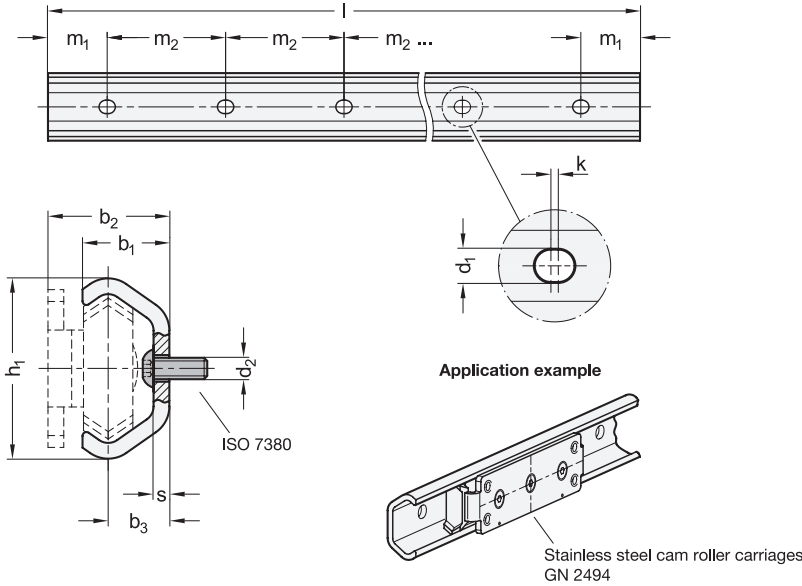
ON REQUEST

- Other available guide rail lengths
for $h_1 = 30$: up to 4000 mm
for $h_1 = 45$: up to 5200 mm
- Different mounting hole distance m_1 / m_2

TECHNICAL INFORMATION

- Stainless Steel characteristics (see page A26)





GN 2492

STAINLESS STEEL

Description	h1 Nominal size	h1 Actual size	l +2/-4	m1 +1/-2	b1	b2	b3	d1	d2	k	m2	s	⚖️
GN 2492-30-240-40-XL	30	29.5	240	40	15	20.5	10	6.4	M5	2	80	2.5	210
GN 2492-30-320-40-XL	30	29.5	320	40	15	20.5	10	6.4	M5	2	80	2.5	280
GN 2492-30-400-40-XL	30	29.5	400	40	15	20.5	10	6.4	M5	2	80	2.5	350
GN 2492-30-480-40-XL	30	29.5	480	40	15	20.5	10	6.4	M5	2	80	2.5	430
GN 2492-30-560-40-XL	30	29.5	560	40	15	20.5	10	6.4	M5	2	80	2.5	500
GN 2492-30-640-40-XL	30	29.5	640	40	15	20.5	10	6.4	M5	2	80	2.5	570
GN 2492-30-720-40-XL	30	29.5	720	40	15	20.5	10	6.4	M5	2	80	2.5	640
GN 2492-30-800-40-XL	30	29.5	800	40	15	20.5	10	6.4	M5	2	80	2.5	710
GN 2492-30-880-40-XL	30	29.5	880	40	15	20.5	10	6.4	M5	2	80	2.5	780
GN 2492-30-960-40-XL	30	29.5	960	40	15	20.5	10	6.4	M5	2	80	2.5	850
GN 2492-30-1040-40-XL	30	29.5	1040	40	15	20.5	10	6.4	M5	2	80	2.5	920
GN 2492-30-1200-40-XL	30	29.5	1200	40	15	20.5	10	6.4	M5	2	80	2.5	1060
GN 2492-30-1360-40-XL	30	29.5	1360	40	15	20.5	10	6.4	M5	2	80	2.5	1210
GN 2492-30-1520-40-XL	30	29.5	1520	40	15	20.5	10	6.4	M5	2	80	2.5	1350
GN 2492-30-1760-40-XL	30	29.5	1760	40	15	20.5	10	6.4	M5	2	80	2.5	1560
GN 2492-30-2000-40-XL	30	29.5	2000	40	15	20.5	10	6.4	M5	2	80	2.5	1770
GN 2492-30-2240-40-XL	30	29.5	2240	40	15	20.5	10	6.4	M5	2	80	2.5	1990
GN 2492-30-2480-40-XL	30	29.5	2480	40	15	20.5	10	6.4	M5	2	80	2.5	2200
GN 2492-45-240-40-XL	45	45.7	240	40	22	30.5	15.5	9	M8	2	80	4	540
GN 2492-45-320-40-XL	45	45.7	320	40	22	30.5	15.5	9	M8	2	80	4	710
GN 2492-45-400-40-XL	45	45.7	400	40	22	30.5	15.5	9	M8	2	80	4	890
GN 2492-45-480-40-XL	45	45.7	480	40	22	30.5	15.5	9	M8	2	80	4	1070
GN 2492-45-560-40-XL	45	45.7	560	40	22	30.5	15.5	9	M8	2	80	4	1250
GN 2492-45-640-40-XL	45	45.7	640	40	22	30.5	15.5	9	M8	2	80	4	1430
GN 2492-45-720-40-XL	45	45.7	720	40	22	30.5	15.5	9	M8	2	80	4	1610
GN 2492-45-800-40-XL	45	45.7	800	40	22	30.5	15.5	9	M8	2	80	4	1780
GN 2492-45-880-40-XL	45	45.7	880	40	22	30.5	15.5	9	M8	2	80	4	1960
GN 2492-45-960-40-XL	45	45.7	960	40	22	30.5	15.5	9	M8	2	80	4	2140
GN 2492-45-1040-40-XL	45	45.7	1040	40	22	30.5	15.5	9	M8	2	80	4	2320
GN 2492-45-1200-40-XL	45	45.7	1200	40	22	30.5	15.5	9	M8	2	80	4	2680
GN 2492-45-1360-40-XL	45	45.7	1360	40	22	30.5	15.5	9	M8	2	80	4	3030
GN 2492-45-1520-40-XL	45	45.7	1520	40	22	30.5	15.5	9	M8	2	80	4	3390
GN 2492-45-1760-40-XL	45	45.7	1760	40	22	30.5	15.5	9	M8	2	80	4	3920
GN 2492-45-2000-40-XL	45	45.7	2000	40	22	30.5	15.5	9	M8	2	80	4	4460
GN 2492-45-2240-40-XL	45	45.7	2240	40	22	30.5	15.5	9	M8	2	80	4	5000
GN 2492-45-2480-40-XL	45	45.7	2480	40	22	30.5	15.5	9	M8	2	80	4	5530

