

Stainless Steel Cam Rollers

for Stainless Steel Cam Roller Linear Guide Rails GN 2492

SPECIFICATION

Types

- Type **B**: Cam roller with bore
- Type **N**: Standard cam roller with centered threaded mounting collar
- Type **E**: Eccentric cam roller with off-center threaded mounting collar

Coding

- **X**: For fixed bearing guide rail

Cam roller

- Stainless steel AISI 440C
- Dust and splash water protected
- Permanent lubrication
Roller bearing grease, FDA compliant, class H1

Sealing disks

Rubber (NBR), blue **2RS**

Threaded mounting collar

Stainless steel AISI 316L

Operating temperature -40 °C to 100 °C



INFORMATION

Stainless steel cam rollers GN 2496 can be combined with stainless steel cam roller linear guide rails GN 2492 (see page) to build individual and space-saving linear guide rail systems.

The outer surfaces of the cam rollers are spherically shaped so that, in conjunction with the correspondingly shaped rails, there is a precise, linear run across four points of contact. The materials can also be used in aggressive environments that can be found for example in the chemical, pharmaceutical and medical industries.

In combination with the guide rail, the play or initial tension of multiple cam rollers can be determined during assembly by using the adjustable eccentric cam roller (Type E). The required open-end wrench can be ordered separately as GN 2424.1 (see page).

Stainless steel cam rollers can be combined with custom rails provided that the run geometry is matching.

The sealed and permanently lubricated cam rollers guarantee superior running performance and low wear.

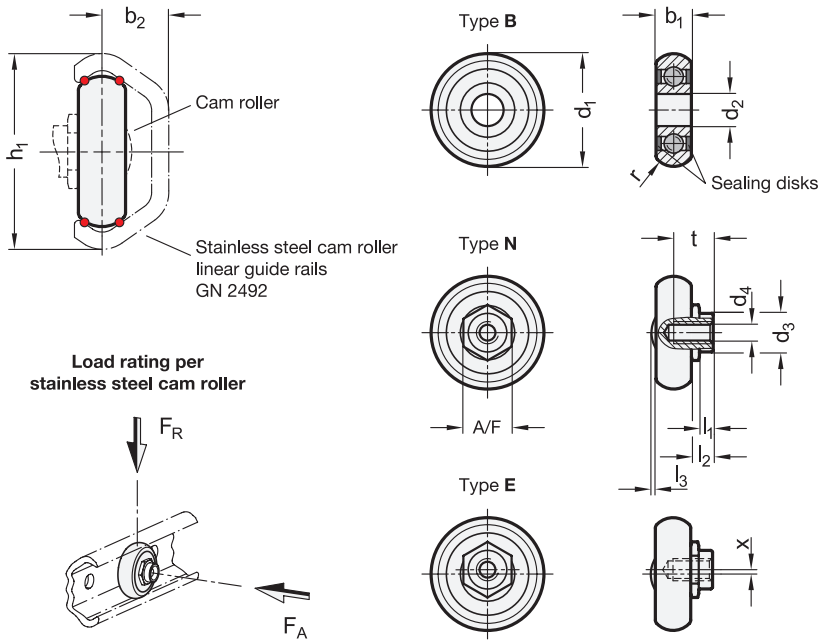
ACCESSORY

- Open-End Wrench GN 2424.1-13-15 (see page)

TECHNICAL INFORMATION

- Elastomer characteristics (see page A32)
- Stainless Steel characteristics (see page A26)





GN 2496-B

STAINLESS STEEL

Description	h1 GN 2492	b1	b2	d1 -0.05	d2 -0.008	r	FR per cam roller in N	FA per cam roller in N	⚖️
GN 2496-30-B-2RS-X	30	7	10	22.5	7	4.5	580	140	10
GN 2496-45-B-2RS-X	45	11	15.5	35.1	10	7	1980	500	50

GN 2496-N

STAINLESS STEEL

Description	h1 GN 2492	b1	b2	d1 -0.05	d3 -0.05	d4	l1	l2	l3 max.	r	A/F	t	FR per cam roller in N	FA per cam roller in N	⚖️
GN 2496-30-N-2RS-X	30	7	10	22.5	10	M 5	2.6	4.8	0.5	4.5	13	8.5	580	140	20
GN 2496-45-N-2RS-X	45	11	15.5	35.1	12	M 6	4.3	6.8	1	7	15	12	1980	500	60

GN 2496-E

STAINLESS STEEL

Description	h1 GN 2492	b1	b2	d1 -0.05	d3 -0.05	d4	l1	l2	l3 max.	r	A/F	t	x	FR per cam roller in N	FA per cam roller in N	⚖️
GN 2496-30-E-2RS-X	30	7	10	22.5	10	M 5	2.6	4.8	0.5	4.5	13	8.5	0.6	580	140	20
GN 2496-45-E-2RS-X	45	11	15.5	35.1	12	M 6	4.3	6.8	1	7	15	12	0.8	1980	500	60

